



DryLin® N 80 | Low-Profile Linear Guide

Size 80

The largest of the DryLin® N series permits low installation heights while offering high load-bearing capacity. The lubrication free design is capable of running at high linear speeds.

- Rail width 80 mm
- Installation height 12 mm
- 100% lubricant-free
- Wide torque support

DryLin® N

Phone +49 - 22 03 - 96 49-145
Fax +49 - 22 03 - 96 49-334

igus® GmbH
51147 Cologne

Internet www.igus.de
E-mail info@igus.de

62.14

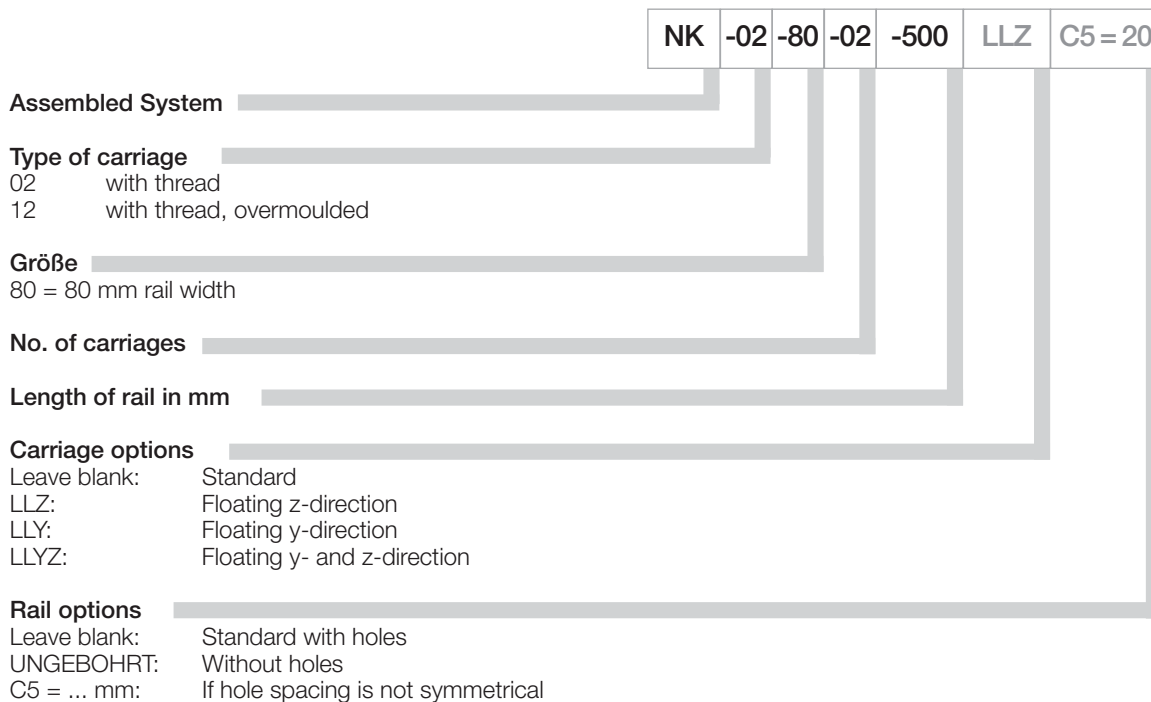


Standard
with thread,
gliding elements made from iglidur® J



Overmoulded
with thread,
gliding elements made from iglidur® J200

Structure of the Part No. for assembled systems:



DryLin® NK-02-80 | Low-Profile Linear Guide



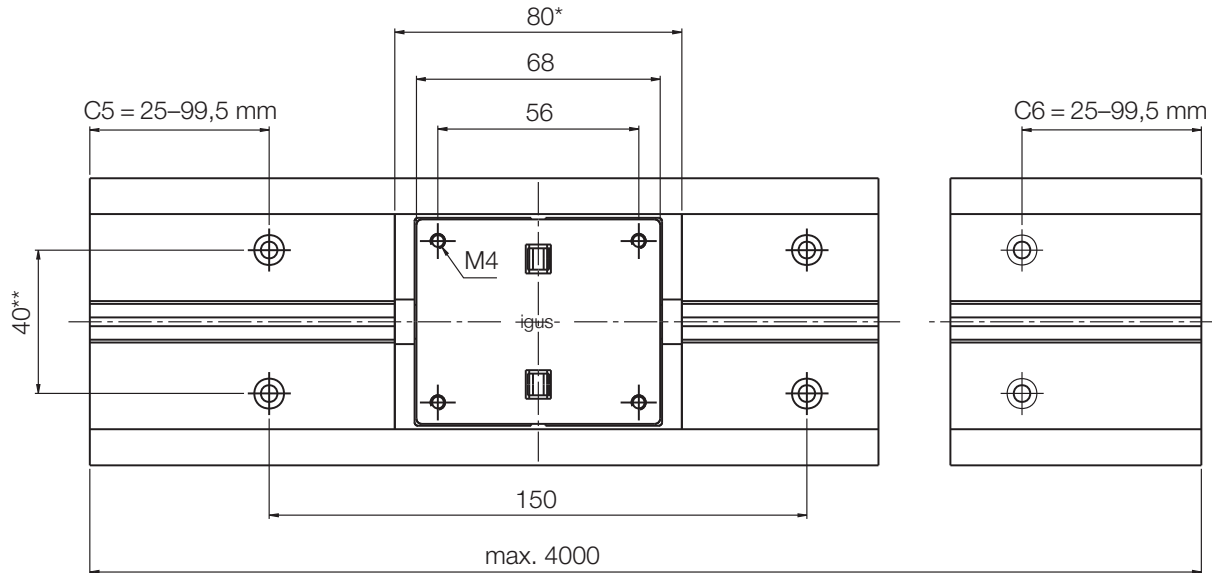
Data, version 02:

Part No. Carriage	NW-02-80
Part No. Rail	NS-01-80
Rail weight	1140 g/m
Carriage weight	100 g
Max. rail length	4000 mm
Standard bore pattern symmetrical (C5 = C6)	



Data, version 12:

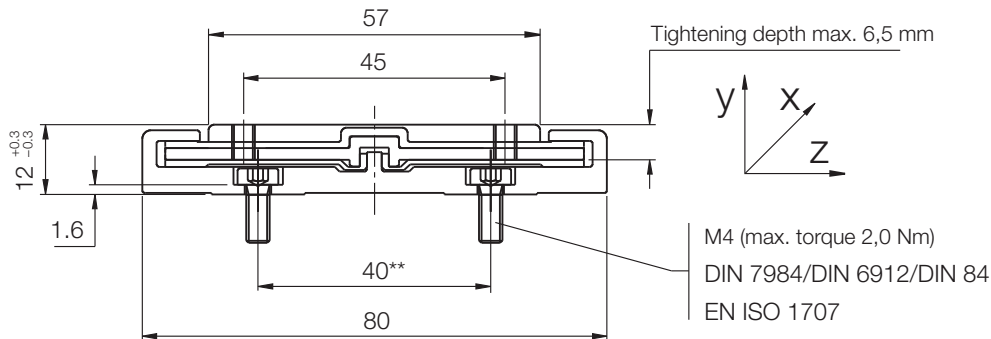
Part No. Carriage	NW-12-80
Part No. Rail	NS-01-80
Rail weight	1140 g/m
Carriage weight	100 g
Max. rail length	4000 mm
Standard bore pattern symmetrical (C5 = C6)	



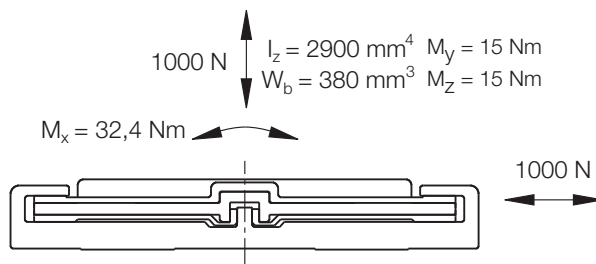
* Carriage length of version NW-12-80 = 83 mm

** optional: Size 45 on request

M4 (max. torque 1,2 Nm)



Static load-bearing and geometric moment of inertia



Order example: NK-02-80-2, 500

More details on part no. options: ► Page 62.4

Lifetime calculation, CAD files and much more support ► www.igus.de/en/DryLinN

DryLin® N

Phone +49 - 22 03 - 96 49-145
Fax +49 - 22 03 - 96 49-334

