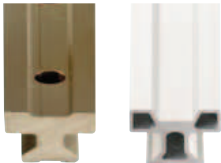


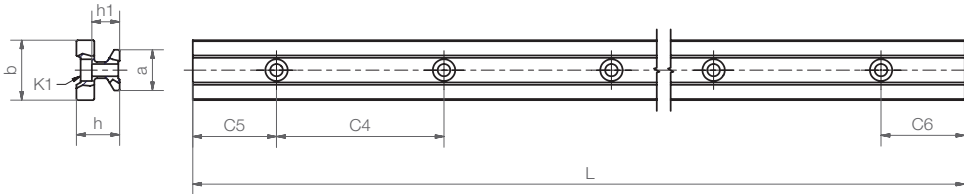
Guide rails



TS-01-... TS-11-...*

- Rail made of anodized aluminum
- Standard bore pattern symmetrical C5 = C6
- Rails without mounting holes available (suffix "without holes")
- Guide rails clear anodized available (suffix "CA": e.g. TS-01-15-CA)
- * TS-11-20: Clear anodized and weight- reduced guide rail as an alternative to TS-01-20

i Hard anodized surface
▶ page 892



Dimensions [mm]

Part number	Weight [kg/m]	L max.	a -0.2	C4 min.	C5 max.	C6 min.	C6 max.	h	h1	K1 for Screw DIN 912	b	ly [mm²]	lz [mm²]	Wby [mm²]	Wbz [mm²]	
TS-01-15	0.6	4,000	15	60	20	49.5	20	49.5	15.5	10.0	M4	22	6,440	4,290	585	488
TS-01-20	1.0	4,000	20	60	20	49.5	20	49.5	19.0	12.3	M5	31	22,570	11,520	1,456	1,067
TS-11-20*	0.5	4,000	20	120	20	79.5	20	79.5	19.0	12.3	M5	31	12,140	6,360	780	620
TS-01-25	1.3	4,000	23	60	20	49.5	20	49.5	21.5	13.8	M6	34	34,700	19,300	2,041	1,608
TS-01-30	1.9	4,000	28	80	20	59.5	20	59.5	26.0	15.8	M8	40	70,040	40,780	3,502	2,832

In combination with



TW-01 Linear Guide Carriage - Adjustable clearance
▶ page 911



TW-02 Linear Guide Carriage - Heavy Duty ▶ page 913



TWA-01 Linear Guide Carriage - Automatic
▶ page 911



TW-03 Linear Guide Carriage - compact ▶ page 913



TW-01-HKA Linear Guide Carriage with manual clamping
▶ page 912

delivery from stock time

prices price list online
www.igus.eu/eu/drylinT

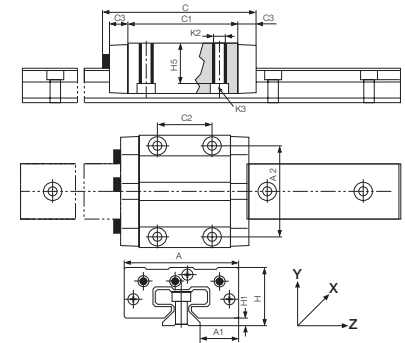
Order notice ▶ page 917

TS rails (single)
TW guide carriages (single)
TK complete system (TS+TW assembled)

Linear Guide Carriage – Adjustable clearance



- Linear guide carriage with manual adjustable clearance
- Suffix "-LLY" for a guide carriage with floating bearing in y-direction
- Suffix "-LLZ" for a guide carriage with floating bearing in z-direction
- In combination with drylin® T Rails TS-01



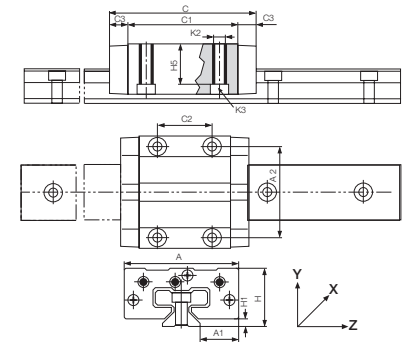
Dimensions [mm]

Part number	Weight [kg]	H ±0.35	A	C	A1 ±0.35	A2	C1	C2	C3	H1 ±0.35	H5	K2- Thread	Torque max. [Nm]	K3 for Screw DIN 912
TW-01-15	0.11	24	47	74	16.0	38	50	30	9	4.0	160	M5	1.5	M4
TW-01-20	0.19	30	63	87	21.5	53	61	40	10	5.0	19.8	M6	2.5	M5
TW-01-25	0.29	36	70	96	23.5	57	68	45	11	5.0	24.8	M8	6.0	M6
TW-01-30	0.50	42	90	109	31.0	72	79	52	12	6.5	27.0	M10	15.0	M8

Linear Guide Carriage – Automatic



- Self-adjusting carriage (automatic clearance adjustment)
- Suffix "-LLY" for a guide carriage with floating bearing in y-direction
- Suffix "-LLZ" for a guide carriage with floating bearing in z-direction
- In combination with drylin® T Rails TS-01



Dimensions [mm]

Part number	Weight [kg]	H ±0.35	A	C	A1 ±0.35	A2	C1	C2	C3	H1 ±0.35	H5	K2- Thread	Torque max. [Nm]	K3 for Screw DIN 912
TWA-01-15	0.11	24	47	68	16.0	38	50	30	9	4.0	16.0	M5	1.5	M4
TWA-01-20	0.19	30	63	81	21.5	53	61	40	10	5.0	19.8	M6	2.5	M5
TWA-01-25	0.29	36	70	90	23.5	57	68	45	11	5.0	24.8	M8	6.0	M6
TWA-01-30	0.50	42	90	103	31.0	72	79	52	12	6.5	27.0	M10	15.0	M8