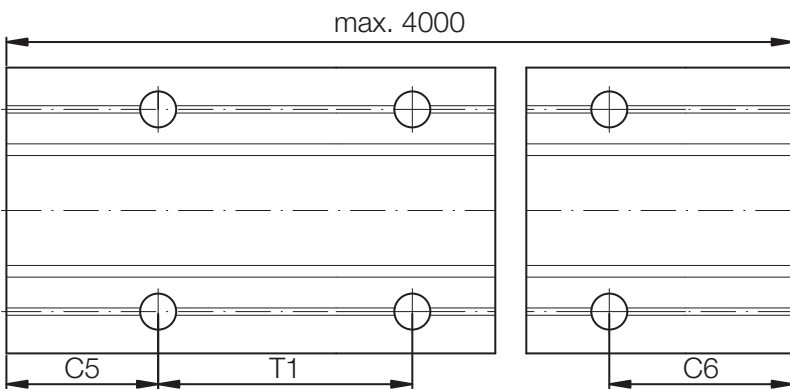
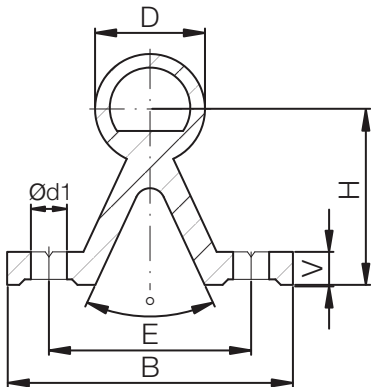




**Special properties**

- Material: EN AW 6061/6060
  - Roundness: DIN 12020
  - Straightness: DIN 12020
  - Hardness: 75 HB
  - Surface: hartanodisiert
  - Surface hardness: 450-550 HV
  - Hole pitches symmetrical C5 = C6
  - Available from stock
- Please remember that this is a technical surface. Small colour variations are possible due to variable coating depths.



**Dimensions [mm] – Supported Aluminium Shafts**

Part No.	D [mm]	B [mm]	H [mm]	V [mm]	d1 [mm]	(°)	E [mm]	T1 [mm]	C5/C6 min.	C5/C6 max.	max. length [mm]	Weigth [kg/m]
	-0,1		±0,25				±0,25					
<b>AWMU-12</b>	12	40	22	5	4,5	50	29	75	20	57	4000	0,75
<b>AWMU-16</b>	16	45	26	5	5,5	50	33	100	20	69	4000	1,00
<b>AWMU-20</b>	20	52	32	6	6,6	50	37	100	20	69	4000	1,42
<b>AWMU-25</b>	25	57	36	6	6,6	50	42	120	20	79	4000	1,81
<b>AWMU-30</b>	30	69	42	7	9,0	50	51	150	20	94	4000	2,69
<b>AWMU-40*</b>	40	73	50	8	9,0	50	55	200	20	119	4000	4,06

Order example: AWMU-16-500 corresponds to a supported aluminium shaft Ø 12 mm, 500 mm in length.

\* Tolerance for shaft diameter D is -0,15.

DryLin® Shafts  
mm

Phone +49 - 22 03 - 96 49-145  
Fax +49 - 22 03 - 96 49-334

