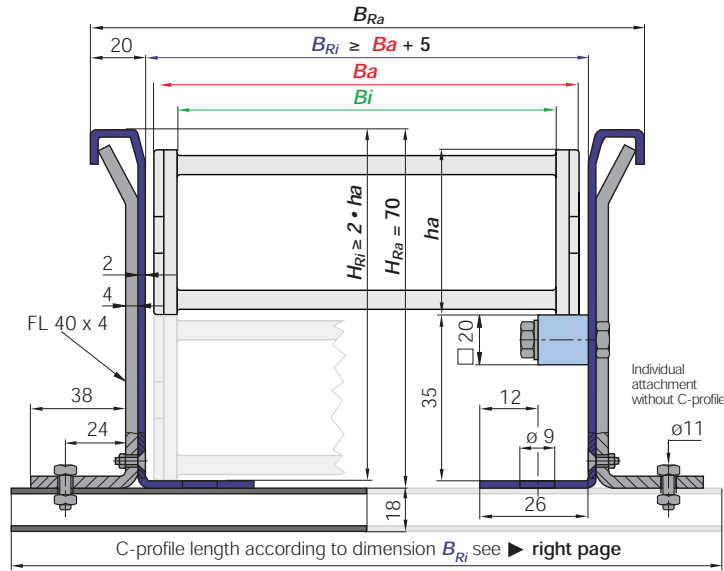


For the following igus® Series

- E2/000 (E2 medium)
- 2500
- 255
- E6
- E6.29/R6.29



Note: The inner width of the guide trough and the C-profile length of the assembly kit can differ according to the bracket you choose. Please call us!

Steel Guide Trough | Complete sets

Trough side parts sets	Part No.	Weight
Set of 2 trough side parts, without glide bars, 2 m section	92.30.E ¹⁾ / E44 ²⁾ / E45 ³⁾	≈ 7,60 kg
Set of 2 trough side parts, with glide bars, 2 m section	92.31.E ¹⁾ / E44 ²⁾ / E45 ³⁾	≈ 9,60 kg
Installation sets - consisting of part		
1 Installation set without C-profile	92.50	≈ 0,34 kg
1 Installation set with C-profile (C-profile length according to dimension B_{Ri})	92.50.XXX*	upon request

* Please add the C-profile length as shown on the tables on the right page. Example: 92.50.200

Steel Guide Trough | Components as single parts

Single parts, trough	Part No.	Weight
1 Trough side part, individual, 2 m section	92.11.E ¹⁾ / E44 ²⁾ / E45 ³⁾	≈ 3,80 kg
1 Glide bar, individual, each 2 m	92.01	≈ 0,75 kg
1 Glide bar, individual, each 2 m + 11 screw sets	92.20	≈ 0,98 kg
Single parts, installation set		
11 Screw sets for 2 m sections	92.21	≈ 0,23 kg
1 Clamping bracket, individual	92.51	≈ 0,12 kg
1 Countersunk-head screw M6 x 14, individual	92.53	
1 Hexagon nut M6, individual	92.54	
1 Hexagon-head screw M10 x 16, individual	92.55	
1 Glide nut M10, individual	92.56	
1 C-profile, individual (C-profile length according to dimension B_{Ri})	92.52.XXX*.E ¹⁾	≈ 0,90 kg/m
Additional option for simple fastening of the e-chain® without drilling		
1 Set Fixed end module (Detailed information ► page 1236)	90.80.01	≈ 7,60 kg

* Please add the C-profile length as shown on the tables on the right page. Example: 92.52.200.E

1) Trough side parts + C-profile - Also available in stainless steel V2A, material 1.4301 (AISI 304). Please add index ".E" to the Part No.
2) Trough side parts - Also available in stainless steel V4A, material 1.4404 (AISI 316L). Please add index ".E44" to the Part No.
3) Trough side parts - Also available in stainless steel V4A, material 1.4571 (AISI 316Ti). Please add index ".E45" to the Part No.



2500			255			E6.29/R6.29		
Width index e-chain*	B_{Ri} [mm]	Part No. Installation set	Width index e-chain*	B_{Ri} [mm]	Part No. Installation set	Width index e-chain*	B_{Ri} [mm]	Part No. Installation set
.02	46	upon request	.03	59	92.50.175	.030	51	upon request
.03	59	92.50.175	.05	78	92.50.200	.040	61	92.50.175
.05	78	92.50.200	.07	98	92.50.225	.050	71	92.50.200
.07	98	92.50.225	.10	124	92.50.250	.060	81	92.50.200
.09	110	92.50.225				.070	91	92.50.200
.10	124	92.50.250				.080	101	92.50.225
.12	146	92.50.275				.090	111	92.50.225
						.100	121	92.50.250
						.110	131	92.50.250
						.120	141	92.50.250



igus® steel guide trough used in a robotics application

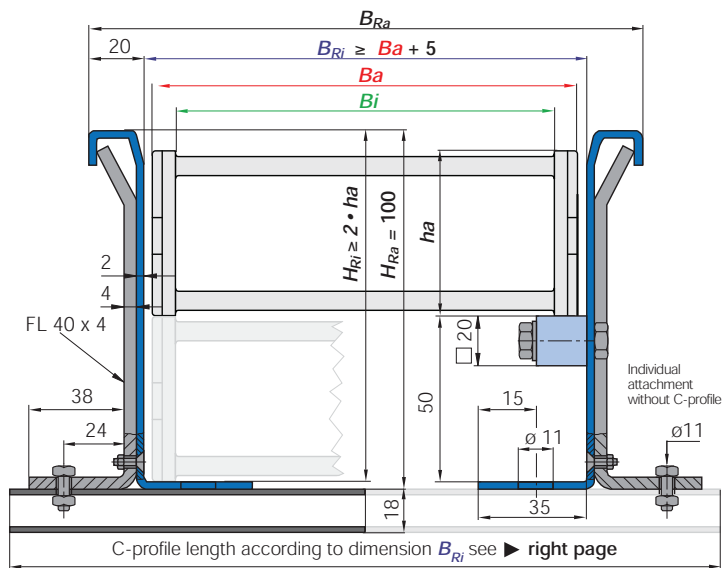
For the following
igus® Series

E2/000

● 2700

E2

● R58



Note: The inner width of the guide trough and the C-profile length of the assembly kit can differ according to the bracket you choose. Please call us!

Steel Guide Trough | Complete sets

Trough side parts sets	Part No.	Weight
Set of 2 trough side parts, without glide bars, 2 m section	95.30.E ¹⁾ / E44 ²⁾ / E45 ³⁾	≈ 10,00 kg
Set of 2 trough side parts, with glide bars, 2 m section	95.31.E ¹⁾ / E44 ²⁾ / E45 ³⁾	≈ 12,00 kg
Installation sets - consisting of part		
1 Installation set without C-profile	95.50	≈ 0,41kg
1 Installation set with C-profile (C-profile length according to dimension B_{Ri})	95.50.XXX*	upon request

* Please add the C-profile length as shown on the tables on the right page. Example: 95.50.200

Steel Guide Trough | Components as single parts

Single parts, trough	Part No.	Weight
1 Trough side part, individual, 2 m section	95.11.E ¹⁾ / E44 ²⁾ / E45 ³⁾	≈ 5,00 kg
1 Glide bar, individual, each 2 m	92.01	≈ 0,75 kg
1 Glide bar, individual, each 2 m + 11 screw sets	92.20	≈ 0,98 kg
Single parts, installation set		
11 Screw sets for 2 m sections	92.21	≈ 0,23 kg
1 Clamping bracket, individual	95.51	≈ 0,16 kg
1 Countersunk-head screw M6 x 14, individual	92.53	
1 Hexagon nut M6, individual	92.54	
1 Hexagon-head screw M10 x 16, individual	92.55	
1 Glide nut M10, individual	92.56	
1 C-profile, individual (C-profile length according to dimension B_{Ri})	92.52.XXX*.E ¹⁾	≈ 0,90 kg/m
Additional option for simple fastening of the e-chain® without drilling		
1 Set Fixed end module (For Series R58, upon request. Detailed information ► page 1236)	95.80.01	≈ 10,00 kg

* Please add the C-profile length as shown on the tables on the right page. Example: 92.52.200.E

- 1) Trough side parts + C-profile - Also available in stainless steel V2A, material 1.4301 (AISI 304). Please add index ".E" to the Part No.
2) Trough side parts - Also available in stainless steel V4A, material 1.4404 (AISI 316L). Please add index ".E44" to the Part No.
3) Trough side parts - Also available in stainless steel V4A, material 1.4571 (AISI 316Ti). Please add index ".E45" to the Part No.

2700

Width index e-chain*	B_{Ri} [mm]	Part No. Installation set
.05	71	95.50.200
.06	86	95.50.200
.07	96	95.50.225
.09	111	95.50.225
.10	121	95.50.250
.12	146	95.50.275
.15	171	95.50.300
.17	199	95.50.325

R58

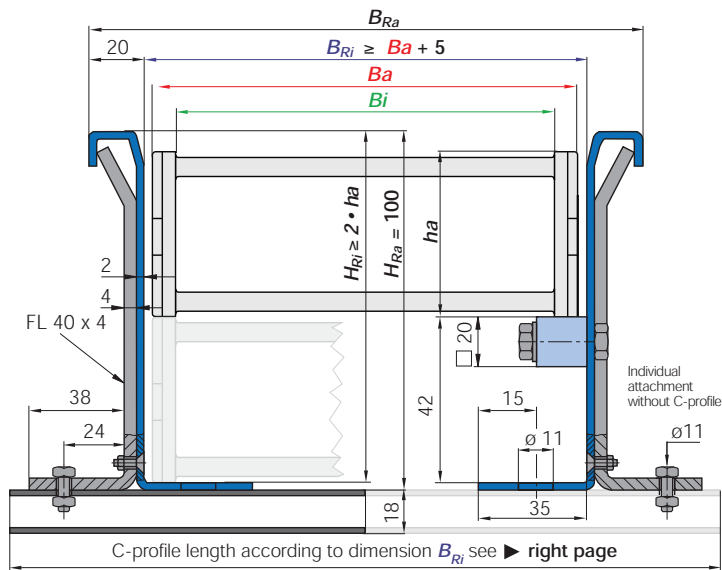
Width index e-chain*	B_{Ri} [mm]	Part No. Installation set
.050	71	95.50.200
.075	96	95.50.225
.100	121	95.50.250
.125	146	95.50.275
.150	171	95.50.300
.175	196	95.50.325
.200	221	95.50.350



igus® steel guide trough used in a shelf conveyor application, Series E2/000 and chainflex® cables

For the following igus® Series

- E4.1
- E4.28/R4.28
- E6
- E6.35



Note: The inner width of the guide trough and the C-profile length of the assembly kit can differ according to the bracket you choose. Please call us!

Steel Guide Trough | Complete sets

Trough side parts sets	Part No.	Weight
Set of 2 trough side parts, without glide bars, 2 m section	99.30.E ¹⁾ / E44 ²⁾ / E45 ³⁾	≈ 10,00 kg
Set of 2 trough side parts, with glide bars, 2 m section	99.31.E ¹⁾ / E44 ²⁾ / E45 ³⁾	≈ 12,00 kg
Installation sets - consisting of part		
1 Installation set without C-profile	95.50	≈ 0,41 kg
1 Installation set with C-profile (C-profile length according to dimension B_{Ri})	95.50.XXX*	upon request

* Please add the C-profile length as shown on the tables on the right page. Example: 92.50.200

Steel Guide Trough | Components as single parts

Single parts, trough	Part No.	Weight
1 Trough side part, individual, 2 m section	99.11.E ¹⁾ / E44 ²⁾ / E45 ³⁾	≈ 5,00 kg
1 Glide bar, individual, each 2 m	92.01	≈ 0,75 kg
1 Glide bar, individual, each 2 m + 11 screw sets	92.20	≈ 0,98 kg
Single parts, installation set		
11 Screw sets for 2 m sections	92.21	≈ 0,23 kg
1 Clamping bracket, individual	95.51	≈ 0,16 kg
1 Countersunk-head screw M6 x 14, individual	92.53	
1 Hexagon nut M6, individual	92.54	
1 Hexagon-head screw M10 x 16, individual	92.55	
1 Glide nut M10, individual	92.56	
1 C-profile, individual (C-profile length according to dimension B_{Ri})	92.52.XXX*.E ¹⁾	≈ 0,90 kg/m
Additional option for simple fastening of the e-chain® without drilling		
1 Set Fixed end module (Detailed information ► page 1236)	99.80.01	≈ 10,00 kg

* Please add the C-profile length as shown on the tables on the right page. Example: 92.50.200

1) Trough side parts + C-profile - Also available in stainless steel V2A, material 1.4301 (AISI 304). Please add index ".E" to the Part No.
2) Trough side parts - Also available in stainless steel V4A, material 1.4404 (AISI 316L). Please add index ".E44" to the Part No.
3) Trough side parts - Also available in stainless steel V4A, material 1.4571 (AISI 316Ti). Please add index ".E45" to the Part No.



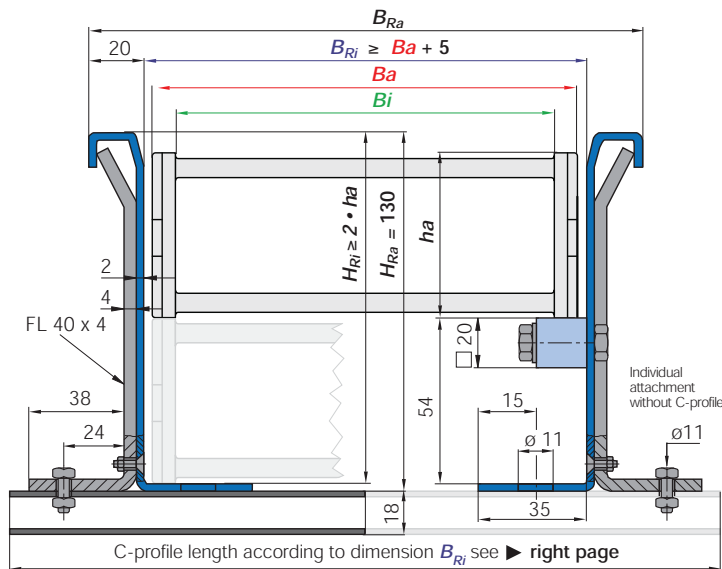
E4.28/R4.28			E6.35		
Width index e-chain*	B_{Ri} [mm]	Part No. Installation set	Width index e-chain*	B_{Ri} [mm]	Part No. Installation set
.040	65	upon request	.030	55	upon request
.050	75	95.50.200	.040	65	upon request
.062	87	95.50.200	.050	75	95.50.200
.070	95	95.50.200	.060	85	95.50.200
.075	100	95.50.225	.070	95	95.50.200
.087	112	95.50.225	.080	105	95.50.225
.100	125	95.50.250	.090	115	95.50.225
.125	150	95.50.275	.100	125	95.50.250
.150	175	95.50.300	.110	135	95.50.250
.175	200	95.50.325	.120	145	95.50.250
.200	225	95.50.350			
.225	250	95.50.375			
.250	275	95.50.400			
.275	300	95.50.425			
.300	325	95.50.450			



Light weight and high stability: Polymer e-chain® tames stiff hydraulic hoses

For the following igus® Series

- E4.1
- E4.32/H4.32/R4.32
- E4.1 light
- E4.38L/R4.38L
- E6
- E6.40/R6.40



Note: The inner width of the guide trough and the C-profile length of the assembly kit can differ according to the bracket you choose. Please call us!

Steel Guide Trough | Complete sets

Trough side parts sets	Part No.	Weight
Set of 2 trough side parts, without glide bars, 2 m section	97.30.E ¹⁾ / E44 ²⁾ / E45 ³⁾	≈ 11,80 kg
Set of 2 trough side parts, with glide bars, 2 m section	97.31.E ¹⁾ / E44 ²⁾ / E45 ³⁾	≈ 13,60 kg
Installation sets - consisting of part		
1 Installation set without C-profile	93.50	≈ 0,49 kg
1 Installation set with C-profile (C-profile length according to dimension B_{Ri})	93.50.XXX*	upon request

* Please add the C-profile length as shown on the tables on the right page. Example: 93.50.350

Steel Guide Trough | Components as single parts

Single parts, trough	Part No.	Weight
1 Trough side part, individual, 2 m section	97.11.E ¹⁾ / E44 ²⁾ / E45 ³⁾	≈ 5,90 kg
1 Glide bar, individual, each 2 m	92.01	≈ 0,75 kg
1 Glide bar, individual, each 2 m + 11 screw sets	92.20	≈ 0,98 kg
Single parts, installation set		
11 Screw sets for 2 m sections	92.21	≈ 0,23 kg
1 Clamping bracket, individual	93.51	≈ 0,20 kg
1 Countersunk-head screw M6 x 14, individual	92.53	
1 Hexagon nut M6, individual	92.54	
1 Hexagon-head screw M10 x 16, individual	92.55	
1 Glide nut M10, individual	92.56	
1 C-profile, individual (C-profile length according to dimension B_{Ri})	92.52.XXX*.E ¹⁾	≈ 0,90 kg/m
Additional option for simple fastening of the e-chain* without drilling		
1 Set Fixed end module (Detailed information ► page 1236)	97.80.01	≈ 11,80 kg

* Please add the C-profile length as shown on the tables on the right page. Example: 92.52.350

1) Trough side parts + C-profile - Also available in stainless steel V2A, material 1.4301 (AISI 304). Please add index ".E" to the Part No.
2) Trough side parts - Also available in stainless steel V4A, material 1.4404 (AISI 316L). Please add index ".E44" to the Part No.
3) Trough side parts - Also available in stainless steel V4A, material 1.4571 (AISI 316Ti). Please add index ".E45" to the Part No.

E4.32/H4.32/R4.32			E4.38L/R4.38L			E6.40/R6.40		
Width index e-chain*	B_{Ri} [mm]	Part No. Installation set	Width index e-chain*	B_{Ri} [mm]	Part No. Installation set	Width index e-chain*	B_{Ri} [mm]	Part No. Installation set
.05	78	93.50.200	050.	71	93.50.200	.040	65	upon request
.06	96	93.50.225	062.*	83	93.50.200	.050	75	93.50.200
.07	103	93.50.225	075.	96	93.50.225	.062	87	93.50.200
.087	115	93.50.225	087.*	108	93.50.225	.070	95	93.50.225
.10	128	93.50.250	100.	121	93.50.250	.075	100	93.50.225
.11	136	93.50.250	112.*	133	93.50.250	.087	112	93.50.225
.112	141	93.50.250	125.	146	93.50.275	.100	125	93.50.250
.12	153	93.50.275	137.*	158	93.50.275	.125	150	93.50.275
.137	166	93.50.275	150.	171	93.50.300	.150	175	93.50.300
.15	178	93.50.300	162.*	183	93.50.300	.175	200	93.50.325
.162	191	93.50.300	175.*	196	93.50.325	.200	225	93.50.350
.17	196	93.50.325	187.*	208	93.50.325	.225	250	93.50.375
.18	203	93.50.325	200.*	221	93.50.350	.250	275	93.50.400
.187	216	93.50.325	212.*	233	93.50.350	.275	300	93.50.425
.20	228	93.50.350	225.*	246	93.50.375	.300	325	93.50.450
.212	241	93.50.350	237.*	258	93.50.375			
.23	253	93.50.375	250.*	271	93.50.400			
.237	266	93.50.375	262.*	283	93.50.400			
.25	278	93.50.400	275.*	296	93.50.425			
.262	291	93.50.400	287.*	308	93.50.425			
.28	303	93.50.425	300.*	321	93.50.450			
.29	316	93.50.425	312.*	333	93.50.450			
.30	328	93.50.450	325.*	346	93.50.475			
.312	341	93.50.450	337.*	358	93.50.475			
.325	353	93.50.475	350.*	371	93.50.500			
.337	366	93.50.475	362.*	383	93.50.500			
.350	378	93.50.500	375.*	396	93.50.525			
.362	391	93.50.500	387.*	408	93.50.525			
.375	403	93.50.525	400.*	421	93.50.550			
.387	416	93.50.525						
.400	428	93.50.550						

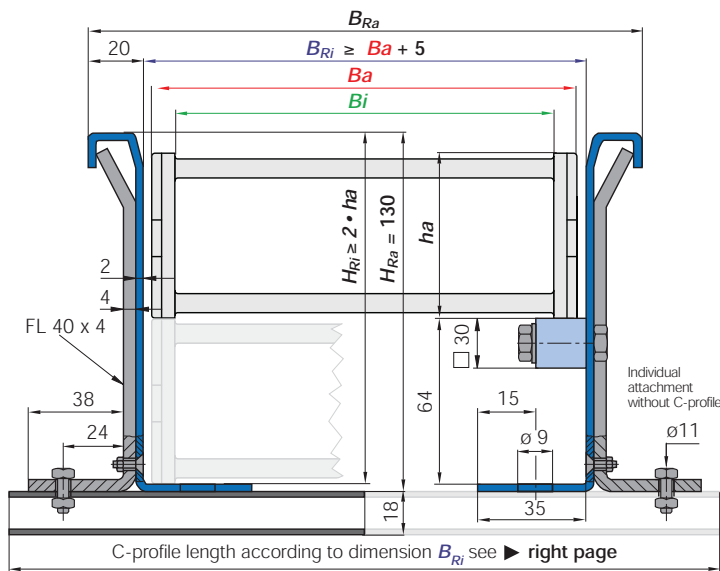
*Width available upon request, please consult igus® for delivery time!



igus® System E4 with extension link at a ship loader for the coal unloading. Travel 105 m, speed 240 m/min, load 53 kg/m

For the following igus® Series

- E2/000
- 3500
- E2
- R68
- E4.1
- E4.42/H4.42/R4.42
- E4.1 light
- E4.48L/R4.48L
- E6
- E6.52/R6.52



Note: The inner width of the guide through and the C-profile length of the assembly kit can differ according to the bracket you choose. Please call us!

Steel Guide Trough | Complete sets

Trough side parts sets	Part No.	Weight
Set of 2 trough side parts, without glide bars, 2 m section	93.30.E ¹⁾ / E44 ²⁾ / E45 ³⁾	≈ 11,80 kg
Set of 2 trough side parts, with glide bars, 2 m section	93.31.E ¹⁾ / E44 ²⁾ / E45 ³⁾	≈ 16,20 kg
Installation sets - consisting of part		
1 Installation set without C-profile	93.50	≈ 0,49 kg
1 Installation set with C-profile (C-profile length according to dimension B_{Ri})	93.50.XXX*	upon request

* Please add the C-profile length as shown on the tables on the right page. Example: 93.50.350

Steel Guide Trough | Components as single parts

Single parts, trough	Part No.	Weight
1 Trough side part, individual, 2 m section	93.11.E ¹⁾ / E44 ²⁾ / E45 ³⁾	≈ 5,90 kg
1 Glide bar, individual, each 2 m	93.01	≈ 1,68 kg
1 Glide bar, individual, each 2 m + 11 screw sets	93.20	≈ 2,22 kg
Single parts, installation set		
11 Screw sets for 2 m sections	93.21	≈ 0,54 kg
1 Clamping bracket, individual	93.51	≈ 0,20 kg
1 Countersunk-head screw M6 x 14, individual	92.53	
1 Hexagon nut M6, individual	92.54	
1 Hexagon-head screw M10 x 16, individual	92.55	
1 Glide nut M10, individual	92.56	
1 C-profile, individual (C-profile length according to dimension B_{Ri})	92.52.XXX*.E ¹⁾	≈ 0,90 kg/m
Additional option for simple fastening of the e-chain* without drilling		
1 Set Fixed end module (Detailed information ► page 1236)	93.80.01	≈ 11,80 kg

* Please add the C-profile length as shown on the tables on the right page. Example: 92.52.350

- 1) Trough side parts + C-profile - Also available in stainless steel V2A, material 1.4301 (AISI 304). Please add index ".E" to the Part No.
- 2) Trough side parts - Also available in stainless steel V4A, material 1.4404 (AISI 316L). Please add index ".E44" to the Part No.
- 3) Trough side parts - Also available in stainless steel V4A, material 1.4571 (AISI 316Ti). Please add index ".E45" to the Part No.

3500

Width index e-chain*	B_{Ri} [mm]	Part No. Installation set
.050	75	93.50.200
.075	100	93.50.225
.100	125	93.50.250
.115	140	93.50.250
.125	150	93.50.275
.150	175	93.50.300
.175	200	93.50.325
.200	225	93.50.350
.225	250	93.50.375
.250	275	93.50.400

R68

Width index e-chain*	B_{Ri} [mm]	Part No. Installation set
.050	73	93.50.200
.075	98	93.50.225
.100	123	93.50.250
.115	138	93.50.250
.125	148	93.50.275
.175	198	93.50.325
.200	223	93.50.350
.225	248	93.50.375
.250	273	93.50.400

E4.42/H4.42/R4.42

Width index e-chain*	B_{Ri} [mm]	Part No. Installation set
.05	81	93.50.200
.06	99	93.50.225
.07	106	93.50.225
.087	119	93.50.250
.10	131	93.50.250
.11	139	93.50.250
.112	144	93.50.275
.12	156	93.50.275
.137	169	93.50.300
.15	181	93.50.300
.162	194	93.50.325
.17	199	93.50.325
.18	206	93.50.325
.187	219	93.50.350
.20	231	93.50.350
.212	244	93.50.375
.23	256	93.50.375
.237	269	93.50.400
.25	281	93.50.400
.262	294	93.50.425
.28	306	93.50.425
.29	319	93.50.450
.30	331	93.50.450
.312	344	93.50.475
.325	356	93.50.475
.337	369	93.50.500
.350	381	93.50.500
.362	394	93.50.525
.375	407	93.50.525
.387	419	93.50.550
.400	431	93.50.550

E4.48L/R4.48L

Width index e-chain*	B_{Ri} [mm]	Part No. Installation set
.050	75	93.50.200
.062*	87	93.50.200
.075	100	93.50.225
.087*	112	93.50.225
.100	125	93.50.250
.112*	137	93.50.250
.125	150	93.50.275
.137*	162	93.50.275
.150	175	93.50.300
.162*	187	93.50.300
.175*	200	93.50.325
.187*	212	93.50.325
.200*	225	93.50.350
.212*	237	93.50.350
.225*	250	93.50.375
.237*	262	93.50.375
.250*	275	93.50.400
.262*	287	93.50.400
.275*	300	93.50.425
.287*	312	93.50.425
.300*	325	93.50.450
.312*	337	93.50.450
.325*	350	93.50.475
.337*	362	93.50.475
.350*	375	93.50.500
.362*	387	93.50.500
.375*	400	93.50.525
.387*	412	93.50.525
.400*	425	93.50.550

*Width available upon request, please consult igus® for delivery time!

E6.52/R6.52

Width index e-chain*	B_{Ri} [mm]	Part No. Installation set
.040	69	upon request
.050	79	93.50.200
.062	91	93.50.200
.070	99	93.50.225
.075	104	93.50.225
.087	116	93.50.225
.100	129	93.50.250
.125	154	93.50.275
.150	179	93.50.300
.175	204	93.50.325
.200	229	93.50.350
.225	254	93.50.375
.250	279	93.50.400
.275	304	93.50.425
.300	329	93.50.450



Travel up to 195 m with the igus® System E4, safely guided in an igus® steel trough

Steel Guide Trough | 94.30 | 94.31 | Heavy-Duty

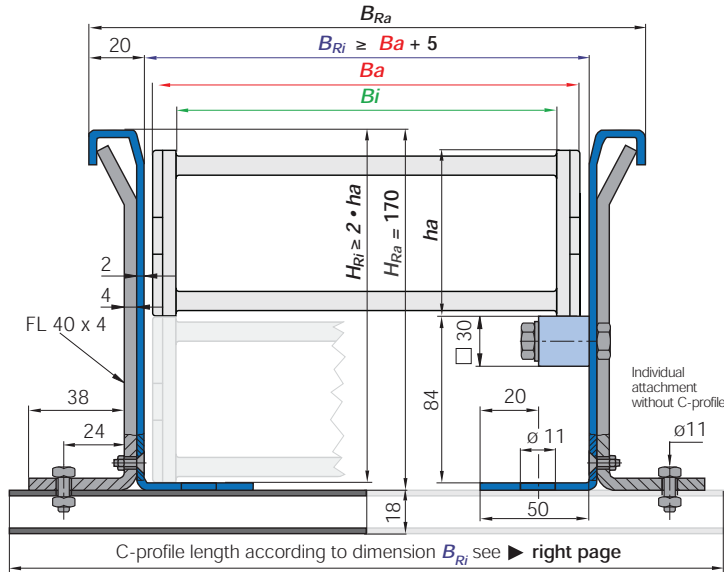
Trough height: 170 mm | Product range

For the following igus® Series

- E4.1
- E4.56/H4.56/R4.56
- E4/light
- 14040/14140/R18840
- 14240/14340
- E6
- E6.62

Option:
With reinforced mounting angles for very rugged and extreme applications

Note: The inner width of the guide trough and the C-profile length of the assembly kit can differ according to the bracket you choose. Please call us!



Steel Guide Trough | C-profile lengths

C-profile length according to dim. B_{Ri}

E4.56			14040/14140/R18840			14240/14340			E6.62		
Width index e-chain*	B_{Ri} [mm]	Part No. Installation set	Width index e-chain*	B_{Ri} [mm]	Part No. Installation set	Width index e-chain*	B_{Ri} [mm]	Part No. Installation set	Width index e-chain*	B_{Ri} [mm]	Part No. Installation set
.05	89	upon request	.05	81	upon request	.05	81	upon request	.05	91	upon request
.06	104	94.50.225	.06	96	upon request	.06	99	upon request	.06	109	94.50.225
.07	114	94.50.225	.07	106	94.50.225	.07	106	94.50.225	.07	116	94.50.225
.08	121	94.50.225	.08	131	94.50.250	.08	119	94.50.250	.08	128	94.50.250
.10	139	94.50.250	.10	144	94.50.275	.10	131	94.50.250	.10	141	94.50.250
.11	152	94.50.275	.11	156	94.50.275	.11	139	94.50.250	.11	149	94.50.275
.12	164	94.50.275	.12	169	94.50.300	.112	144	94.50.275	.112	153	94.50.275
.13	177	94.50.300	.13	181	94.50.300	.12	156	94.50.275	.12	166	94.50.275
.15	189	94.50.300	.15	194	94.50.325	.137	169	94.50.300	.137	178	94.50.300
.16	202	94.50.325	.16	206	94.50.325	.15	181	94.50.300	.15	191	94.50.300
.17	214	94.50.325	.17	219	94.50.350	.162	194	94.50.325	.162	203	94.50.325
.18	227	94.50.350	.18	231	94.50.350	.17	199	94.50.325	.17	209	94.50.325
.20	239	94.50.350	.20	244	94.50.375	.18	206	94.50.325	.18	216	94.50.325
.21	252	94.50.375	.21	256	94.50.375	.187	219	94.50.350	.187	228	94.50.350
.22	264	94.50.375	.22	269	94.50.400	.20	231	94.50.350	.20	241	94.50.350
.23	277	94.50.400	.23	281	94.50.400	.212	244	94.50.375	.212	253	94.50.375
.25	289	94.50.400	.25	294	94.50.425	.23	256	94.50.375	.23	266	94.50.375
.26	302	94.50.425	.26	306	94.50.425	.237	269	94.50.400	.237	278	94.50.400
.27	314	94.50.425	.27	319	94.50.450	.25	281	94.50.400	.25	291	94.50.400
.28	327	94.50.450	.28	331	94.50.450	.262	294	94.50.425	.262	303	94.50.425
.30	339	94.50.450	.30	344	94.50.475	.28	306	94.50.425	.28	316	94.50.425
.31	352	94.50.475	.31	356	94.50.475	.29	319	94.50.450	.29	328	94.50.450
.32	364	94.50.475	.32	369	94.50.500	.30	331	94.50.450	.30	341	94.50.450
.33	377	94.50.500	.33	381	94.50.500	.312	344	94.50.475	.312	353	94.50.475
.35	389	94.50.500	.35	394	94.50.525	.325	356	94.50.475	.325	366	94.50.475
.36	402	94.50.525	.36	406	94.50.525	.337	369	94.50.500	.337	378	94.50.500
.37	414	94.50.525	.37	419	94.50.550	.350	381	94.50.500	.350	391	94.50.500
.38	427	94.50.550	.38	431	94.50.550	.362	394	94.50.525	.362	403	94.50.525
.40	439	94.50.550	.40	444	94.50.575	.375	406	94.50.525	.375	416	94.50.525
.41	452	94.50.575	.41	456	94.50.575	.384	419	94.50.550	.384	428	94.50.550
.42	464	94.50.575	.42	469	94.50.600	.400	431	94.50.550	.400	441	94.50.550
.43	477	94.50.600	.43	481	94.50.600						
.45	489	94.50.600	.45	494	94.50.625						
.46	502	94.50.625	.46	506	94.50.625						
.47	514	94.50.625	.47	519	94.50.650						
.48	527	94.50.650	.48	531	94.50.650						
.50	539	94.50.650	.50	544	94.50.675						
.51	552	94.50.675	.51	556	94.50.675						
.52	564	94.50.675	.52	569	94.50.700						
.53	577	94.50.700	.53	581	94.50.700						
.55	589	94.50.700	.55	594	94.50.750						
.60	639	94.50.750	.60	644	94.50.750						

Steel Guide Trough | Complete sets

Trough side parts sets	Part No.	Weight
Set of 2 trough side parts, without glide bars, 2 m section	94.30.E ¹⁾ / E44 ²⁾ / E45 ³⁾	≈ 14,70 kg
Set of 2 trough side parts, with glide bars, 2 m section	94.31.E ¹⁾ / E44 ²⁾ / E45 ³⁾	≈ 19,00 kg
Installation sets - consisting of part		
1 Installation set without C-profile	94.50	≈ 0,58 kg
1 Installation set with C-profile (C-profile length according to dimension B_{Ri})	94.50.XXX*	upon request

* Please add the C-profile length as shown on the tables on the right page. Example: 94.50.350

Steel Guide Trough | Components as single parts

Single parts, trough	Part No.	Weight
1 Trough side part, individual, 2 m section	94.11.E ¹⁾ / E44 ²⁾ / E45 ³⁾	≈ 7,35 kg
1 Glide bar, individual, each 2 m	93.01	≈ 1,68 kg
1 Glide bar, individual, each 2 m + 11 screw sets	93.20	≈ 2,22 kg
Single parts, installation set		
11 Screw sets for 2 m sections	93.21	≈ 0,54 kg
1 Clamping bracket, individual	94.51	≈ 0,25 kg
1 Countersunk-head screw M6 x 14, individual	92.53	
1 Hexagon nut M6, individual	92.54	
1 Hexagon-head screw M10 x 16, individual	92.55	
1 Glide nut M10, individual	92.56	
1 C-profile, individual (C-profile length according to dimension B_{Ri})	92.52.XXX*.E ¹⁾	≈ 0,90 kg/m
Additional option for simple fastening of the e-chain* without drilling		
1 Set Fixed end module (Detailed information ► page 1236)	94.80.01	≈ 14,70 kg

* Please add the C-profile length as shown on the tables on the right page. Example: 92.52.350.E

- 1) Trough side parts + C-profile - Also available in stainless steel V2A, material 1.4301 (AISI 304). Please add index ".E" to the Part No.
- 2) Trough side parts - Also available in stainless steel V4A, material 1.4404 (AISI 316L). Please add index ".E44" to the Part No.
- 3) Trough side parts - Also available in stainless steel V4A, material 1.4571 (AISI 316Ti). Please add index ".E45" to the Part No.



180 m travel, 30 kg/m fill weight. Two igus® E4 rol e-chains®



For the following igus® Series

E4/light

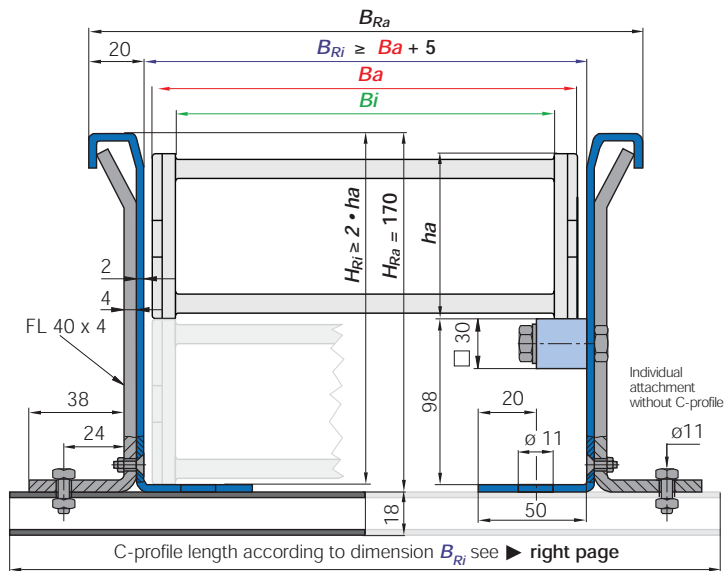
● 14550/14650/R19050



Option:

With reinforced mounting angles for very rugged and extreme applications

Note: The inner width of the guide trough and the C-profile length of the assembly kit can differ according to the bracket you choose. Please call us!



Steel Guide Trough | Complete sets

Trough side parts sets	Part No.	Weight
Set of 2 trough side parts, without glide bars, 2 m section	94.14550.30.E ¹⁾ / E44 ²⁾ / E45 ³⁾	≈ 14,70 kg
Set of 2 trough side parts, with glide bars, 2 m section	94.14550.31.E ¹⁾ / E44 ²⁾ / E45 ³⁾	≈ 19,00 kg
Installation sets - consisting of part		
1 Installation set without C-profile	94.50	≈ 0,58 kg
1 Installation set with C-profile (C-profile length according to dimension B_{Ri})	94.50.XXX*	upon request

* Please add the C-profile length as shown on the tables on the right page. Example: 94.50.350

Steel Guide Trough | Components as single parts

Single parts, trough	Part No.	Weight
1 Trough side part, individual, 2 m section	94.14550.11.E ¹⁾ / E44 ²⁾ / E45 ³⁾	≈ 7,35 kg
1 Glide bar, individual, each 2 m	93.01	≈ 1,68 kg
1 Glide bar, individual, each 2 m + 11 screw sets	93.20	≈ 2,22 kg
Single parts, installation set		
11 Screw sets for 2 m sections	93.21	≈ 0,54 kg
1 Clamping bracket, individual	94.51	≈ 0,25 kg
1 Countersunk-head screw M6 x 14, individual	92.53	
1 Hexagon nut M6, individual	92.54	
1 Hexagon-head screw M10 x 16, individual	92.55	
1 Glide nut M10, individual	92.56	
1 C-profile, individual (C-profile length according to dimension B_{Ri})	92.52.XXX*.E ¹⁾	≈ 0,90 kg/m
Additional option for simple fastening of the e-chain® without drilling		
1 Set Fixed end module (Detailed information ► page 1236)	94.14550.80.01	≈ 14,70 kg

* Please add the C-profile length as shown on the tables on the right page. Example: 92.52.350.E

1) Trough side parts + C-profile - Also available in stainless steel V2A, material 1.4301 (AISI 304). Please add index ".E" to the Part No.
2) Trough side parts - Also available in stainless steel V4A, material 1.4404 (AISI 316L). Please add index ".E44" to the Part No.
3) Trough side parts - Also available in stainless steel V4A, material 1.4571 (AISI 316Ti). Please add index ".E45" to the Part No.

14550/14650/R19050

Width index e-chain*	B_{Ri} [mm]	Part No. Installation set
.05	82	upon request
.06	97	upon request
.07	107	94.50 225
.08	119	94.50 250
.10	132	94.50 250
.11	144	94.50 275
.12	157	94.50 275
.13	169	94.50 300
.15	182	94.50 300
.16	194	94.50 325
.17	207	94.50 325
.18	219	94.50 350
.20	232	94.50 350
.21	244	94.50 375
.22	257	94.50 375
.23	269	94.50 400
.25	282	94.50 400
.26	294	94.50 425
.27	307	94.50 425
.28	319	94.50 450
.30	332	94.50 450
.31	344	94.50 475
.32	357	94.50 475
.33	369	94.50 500
.35	382	94.50 500
.36	394	94.50 525
.37	407	94.50 525
.38	419	94.50 550
.40	432	94.50 550
.41	444	94.50 575
.42	457	94.50 575
.43	469	94.50 600
.45	482	94.50 600
.46	494	94.50 625
.47	507	94.50 625
.48	519	94.50 650
.50	532	94.50 650
.51	544	94.50 675
.52	557	94.50 675
.53	569	94.50 700
.55	582	94.50 700
.60	632	94.50 750



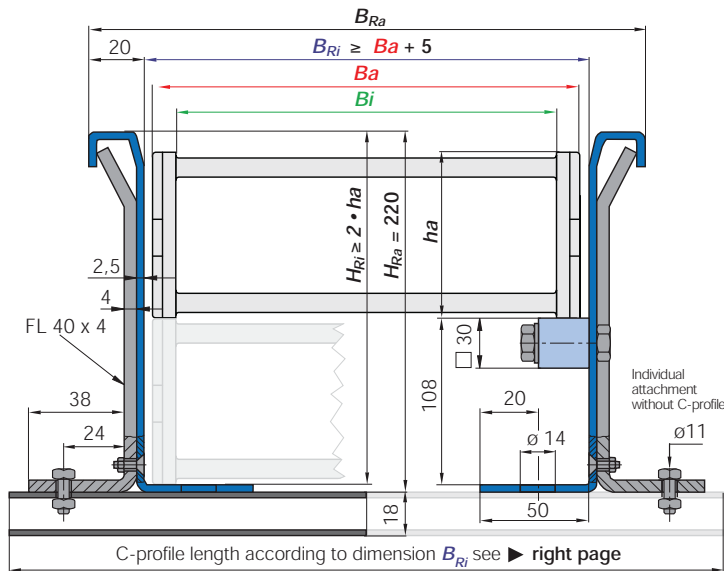
System E4 with extension links -long travel application onboard West Navigator (Norway)

For the following igus® Series

- E4.1
- E4.80
- E4/light
- 15050/15150/R19850
- 15250/15350
- E6
- E6.80

Option:
With reinforced mounting angles for very rugged and extreme applications

Note: The inner width of the guide trough and the C-profile length of the assembly kit can differ according to the bracket you choose. Please call us!



Steel Guide Trough | Complete sets

Trough side parts sets	Part No.	Weight
Set of 2 trough side parts, without glide bars, 2 m section	96.30.E ¹⁾ / E44 ²⁾ / E45 ³⁾	≈ 22,80 kg
Set of 2 trough side parts, with glide bars, 2 m section	96.31.E ¹⁾ / E44 ²⁾ / E45 ³⁾	≈ 27,20 kg
Installation sets - consisting of part		
1 Installation set without C-profile	96.50	≈ 0,72 kg
1 Installation set with C-profile (C-profile length according to dimension B_{Ri})	96.50.XXX*	upon request

* Please add the C-profile length as shown on the tables on the right page. Example: 96.50.375

Steel Guide Trough | Components as single parts

Single parts, trough	Part No.	Weight
1 Trough side part, individual, 2 m section	96.11.E ¹⁾ / E44 ²⁾ / E45 ³⁾	≈ 11,4 kg
1 Glide bar, individual, each 2 m	93.01	≈ 1,68 kg
1 Glide bar, individual, each 2 m + 11 screw sets	93.20	≈ 2,22 kg
Single parts, installation set		
11 Screw sets for 2 m sections	93.21	≈ 0,54 kg
1 Clamping bracket, individual	96.51	≈ 0,31 kg
1 Countersunk-head screw M6 x 14, individual	92.53	
1 Hexagon nut M6, individual	92.54	
1 Hexagon-head screw M10 x 16, individual	92.55	
1 Glide nut M10, individual	92.56	
1 C-profile, individual (C-profile length according to dimension B_{Ri})	92.52.XXX*.E ¹⁾	≈ 0,90 kg/m
Additional option for simple fastening of the e-chain® without drilling		
1 Set Fixed end module (Detailed information ► page 1236)	96.80.01	≈ 22,80 kg

* Please add the C-profile length as shown on the tables on the right page. Example: 92.52.375.E

- 1) Trough side parts + C-profile - Also available in stainless steel V2A, material 1.4301 (AISI 304). Please add index ".E" to the Part No.
- 2) Trough side parts - Also available in stainless steel V4A, material 1.4404 (AISI 316L). Please add index ".E44" to the Part No.
- 3) Trough side parts - Also available in stainless steel V4A, material 1.4571 (AISI 316Ti). Please add index ".E45" to the Part No.

E4.80			15050/15150/R19850			15250/15350			E6.80		
Width index e-chain*	B_{Ri} [mm]	Part No. Installation set	Width index e-chain*	B_{Ri} [mm]	Part No. Installation set	Width index e-chain*	B_{Ri} [mm]	Part No. Installation set	Width index e-chain*	B_{Ri} [mm]	Part No. Installation set
.05	105	96.50.225	.05	85	upon request	.05	85	upon request	.05	105	96.50.225
.06	120	96.50.250	.06	100	upon request	.06	103	96.50.225	.06	120	96.50.250
.07	130	96.50.250	.07	110	96.50.225	.07	110	96.50.225	.07	130	96.50.250
.10	155	96.50.275	.10	135	96.50.250	.10	122	96.50.250	.10	155	96.50.275
.11	168	96.50.300	.11	148	96.50.275	.11	132	96.50.250	.11	167	96.50.300
.12	180	96.50.300	.12	160	96.50.275	.12	135	96.50.250	.12	180	96.50.300
.13	193	96.50.325	.13	173	96.50.300	.13	143	96.50.275	.13	192	96.50.325
.15	205	96.50.325	.15	185	96.50.300	.15	148	96.50.275	.15	205	96.50.325
.16	218	96.50.350	.16	198	96.50.325	.16	160	96.50.275	.16	217	96.50.350
.17	230	96.50.350	.17	210	96.50.325	.17	172	96.50.300	.17	230	96.50.350
.18	243	96.50.375	.18	223	96.50.375	.18	185	96.50.300	.18	242	96.50.375
.20	255	96.50.375	.20	235	96.50.350	.20	198	96.50.325	.20	255	96.50.375
.21	268	96.50.400	.21	248	96.50.375	.21	203	96.50.325	.21	267	96.50.400
.22	280	96.50.400	.22	260	96.50.375	.22	210	96.50.325	.22	280	96.50.400
.23	293	96.50.425	.23	273	96.50.400	.23	223	96.50.350	.23	292	96.50.425
.25	305	96.50.425	.25	285	96.50.400	.25	235	96.50.350	.25	305	96.50.425
.26	318	96.50.450	.26	298	96.50.425	.26	248	96.50.375	.26	317	96.50.450
.27	330	96.50.450	.27	310	96.50.425	.27	260	96.50.375	.27	330	96.50.450
.28	343	96.50.475	.28	323	96.50.450	.28	273	96.50.400	.28	342	96.50.475
.30	355	96.50.475	.30	335	96.50.450	.30	285	96.50.400	.30	355	96.50.475
.31	368	96.50.500	.31	348	96.50.475	.31	298	96.50.425	.31	367	96.50.500
.32	380	96.50.500	.32	360	96.50.475	.32	310	96.50.425	.32	380	96.50.500
.33	393	96.50.525	.33	373	96.50.500	.33	323	96.50.450	.33	392	96.50.525
.35	405	96.50.525	.35	385	96.50.500	.35	335	96.50.450	.35	405	96.50.525
.36	418	96.50.550	.36	398	96.50.525	.36	348	96.50.475	.36	417	96.50.550
.37	430	96.50.550	.37	410	96.50.525	.37	360	96.50.475	.37	430	96.50.550
.38	443	96.50.575	.38	423	96.50.550	.38	373	96.50.500	.38	442	96.50.575
.40	455	96.50.575	.40	435	96.50.550	.40	385	96.50.500	.40	455	96.50.575
.41	468	96.50.600	.41	448	96.50.575	.41	398	96.50.525	.41	470	96.50.600
.42	480	96.50.600	.42	460	96.50.575	.42	410	96.50.525	.42	480	96.50.600
.43	493	96.50.625	.43	473	96.50.600	.43	423	96.50.550	.43	492	96.50.625
.45	505	96.50.625	.45	485	96.50.600	.45	435	96.50.550	.45	505	96.50.625
.46	518	96.50.650	.46	498	96.50.625				.46	517	96.50.650
.47	530	96.50.650	.47	510	96.50.625				.47	530	96.50.650
.48	543	96.50.675	.48	523	96.50.650				.48	542	96.50.675
.50	555	96.50.675	.50	535	96.50.650				.50	555	96.50.675
.51	568	96.50.700	.51	548	96.50.675				.51	567	96.50.700
.52	580	96.50.700	.52	560	96.50.675				.52	580	96.50.700
.53	593	96.50.725	.53	573	96.50.700				.53	592	96.50.725
.55	605	96.50.725	.55	585	96.50.700				.55	605	96.50.725
.60	655	96.50.775	.60	635	96.50.750				.60	655	96.50.775



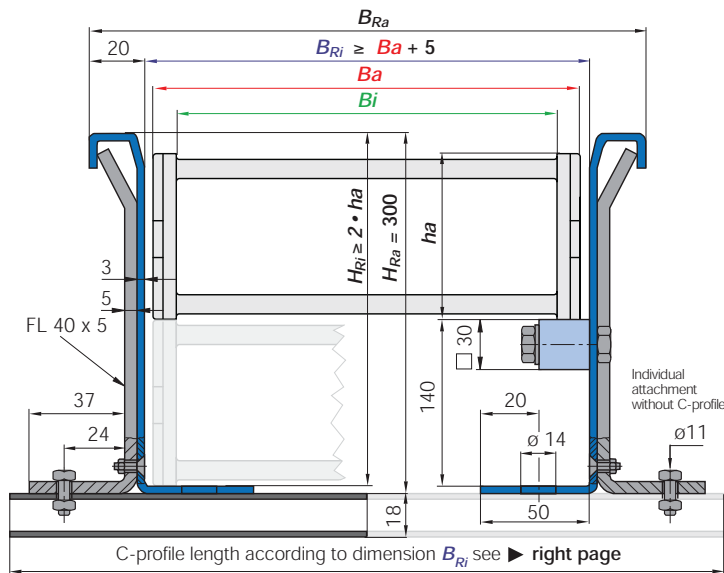
igus® E4 rol e-chain® and steel guide trough

For the following igus® Series

- E4.1
- E4.112/H4.112/R4.112 E4/light
- 1640/R1608

Option:
With reinforced mounting angles for very rugged and extreme applications

Note: The inner width of the guide trough and the C-profile length of the assembly kit can differ according to the bracket you choose. Please call us!



Steel Guide Trough | Complete sets

Trough side parts sets	Part No.	Weight
Set of 2 trough side parts, without glide bars, 2 m section	98.30.E ¹⁾ / E44 ²⁾ / E45 ³⁾	≈ 34,60 kg
Set of 2 trough side parts, with glide bars, 2 m section	98.31.E ¹⁾ / E44 ²⁾ / E45 ³⁾	≈ 39,00 kg
Installation sets - consisting of part		
1 Installation set without C-profile	98.50	≈ 1,16 kg
1 Installation set with C-profile (C-profile length according to dimension B_{Ri})	98.50.XXX*	upon request

* Please add the C-profile length as shown on the tables on the right page. Example: 98.50.350

Steel Guide Trough | Components as single parts

Single parts, trough	Part No.	Weight
1 Trough side part, individual, 2 m section	98.11.E ¹⁾ / E44 ²⁾ / E45 ³⁾	≈ 17,3 kg
1 Glide bar, individual, each 2 m	93.01	≈ 1,68 kg
1 Glide bar, individual, each 2 m + 11 screw sets	93.20	≈ 2,22 kg
Single parts, installation set		
11 Screw sets for 2 m sections	93.21	≈ 0,54 kg
1 Clamping bracket, individual	98.51	≈ 0,52 kg
1 Countersunk-head screw M8 x 20, individual	92.05	
1 Hexagon nut M8, individual	92.04	
1 Hexagon-head screw M10 x 16, individual	92.55	
1 Glide nut M10, individual	92.56	
1 C-profile, individual (C-profile length according to dimension B_{Ri})	92.52.XXX*.E ¹⁾	≈ 0,90 kg/m
Additional option for simple fastening of the e-chain® without drilling		
1 Set Fixed end module (Detailed information ▶ page 1236)	98.80.01	≈ 34,6 kg

* Please add the C-profile length as shown on the tables on the right page. Example: 92.52.375.E

- 1) Trough side parts + C-profile - Also available in stainless steel V2A, material 1.4301 (AISI 304). Please add index ".E" to the Part No.
- 2) Trough side parts - Also available in stainless steel V4A, material 1.4404 (AISI 316L). Please add index ".E44" to the Part No.
- 3) Trough side parts - Also available in stainless steel V4A, material 1.4571 (AISI 316Ti). Please add index ".E45" to the Part No.

E4.112/H4.112/R4.112

Width index e-chain*	B_{Ri} [mm]	Part No. Installation set
.05	107	98.50.225
.06	122	98.50.250
.07	132	98.50.250
.10	157	98.50.275
.11	169	98.50.300
.12	182	98.50.300
.13	194	98.50.325
.15	207	98.50.325
.16	219	98.50.350
.17	232	98.50.350
.18	244	98.50.375
.20	257	98.50.375
.21	269	98.50.400
.22	282	98.50.400
.23	294	98.50.425
.25	307	98.50.425
.26	319	98.50.450
.27	332	98.50.450
.28	344	98.50.475
.30	357	98.50.475
.31	369	98.50.500
.32	382	98.50.500
.33	394	98.50.525
.35	407	98.50.525
.36	419	98.50.550
.37	432	98.50.550
.38	444	98.50.575
.40	457	98.50.575
.41	469	98.50.600
.42	482	98.50.600
.43	494	98.50.625
.45	507	98.50.625
.46	519	98.50.650
.47	532	98.50.650
.48	544	98.50.675
.50	557	98.50.675
.51	569	98.50.700
.52	582	98.50.700
.53	594	98.50.725
.55	607	98.50.725
.60	657	98.50.775

1640/R1608

Width index e-chain*	B_{Ri} [mm]	Part No. Installation set
.05	89	upon request
.06	104	98.50.225
.07	114	98.50.250
.08	124	98.50.250
.10	139	98.50.275
.11	151	98.50.275
.12	164	98.50.300
.13	176	98.50.300
.15	189	98.50.325
.16	201	98.50.325
.17	214	98.50.350
.18	226	98.50.350
.20	239	98.50.375
.21	251	98.50.375
.22	264	98.50.400
.23	276	98.50.400
.25	289	98.50.425
.26	301	98.50.425
.27	314	98.50.450
.28	326	98.50.450
.30	339	98.50.475
.31	351	98.50.475
.32	364	98.50.500
.33	376	98.50.500
.35	389	98.50.525
.36	401	98.50.525
.37	414	98.50.550
.38	426	98.50.550
.40	439	98.50.575
.41	451	98.50.575
.42	464	98.50.600
.43	476	98.50.600
.45	489	98.50.625
.46	501	98.50.625
.47	514	98.50.650
.48	526	98.50.650
.50	539	98.50.675
.51	551	98.50.675
.52	564	98.50.700
.53	576	98.50.700
.55	589	98.50.725
.60	639	98.50.775



Rig skidding application on the Claymore, North Sea

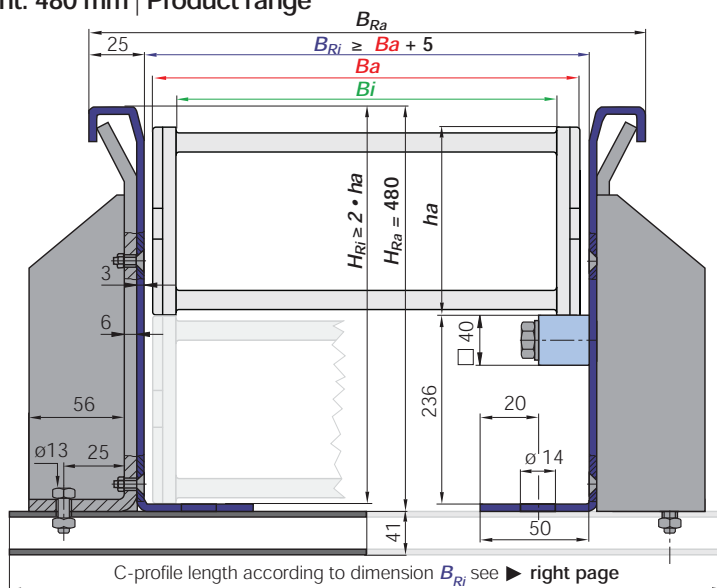
For the following igus® Series

- E4.1
- 800
- 840



This igus® steel guide trough has reinforced mounting angles for very rugged and extreme applications

Note: The inner width of the guide trough and the C-profile length of the assembly kit can differ according to the bracket you choose. Please call us!



C-profile length according to dimension B_{Ri} see ► right page

Steel Guide Trough | Complete sets

Trough side parts sets	Part No.	Weight
Set of 2 trough side parts, without glide bars, 2 m section	90.30.E ¹⁾ / E44 ²⁾ / E45 ³⁾	≈ 53,40 kg
Set of 2 trough side parts, with glide bars, 2 m section	90.31.E ¹⁾ / E44 ²⁾ / E45 ³⁾	≈ 59,40 kg
Installation sets - consisting of part		
1 Installation set without C-profile	90.50	≈ 0,41 kg
1 Installation set with C-profile (C-profile length according to dimension B_{Ri})	90.50.XXX*	upon request

* Please add the C-profile length as shown on the tables on the right page. Example: 90.50.450

Steel Guide Trough | Components as single parts

Single parts, trough	Part No.	Weight
1 Trough side part, individual, 2 m section	90.11.E ¹⁾ / E44 ²⁾ / E45 ³⁾	≈ 26,7 kg
1 Glide bar, individual, each 2 m	90.01	≈ 1,68 kg
1 Glide bar, individual, each 2 m + 11 screw sets	90.20	≈ 2,22 kg
Single parts, installation set		
11 Screw sets for 2 m sections	90.21	≈ 0,54 kg
1 Clamping bracket, individual	90.51	≈ 0,52 kg
1 Countersunk-head screw M8 x 25, individual	MAT0040014	
1 Hexagon nut M8, individual	MAT0040012	
1 Hexagon-head screw M12 x 30, individual	MAT0040384	
1 Glide nut M12, individual	MAT0040385	
1 C-profile, individual (C-profile length according to dimension B_{Ri})	IE70.41-41.XXX*.E ¹⁾	≈ 0,90 kg/m
Additional option for simple fastening of the e-chain® without drilling		
1 Set Fixed end module (Detailed information ► page 1236)	90.80.01	≈ 53,40 kg

* Please add the C-profile length as shown on the tables on the right page. Example: 92.52.450.E

1) Trough side parts + C-profile - Also available in stainless steel V2A, material 1.4301 (AISI 304). Please add index ".E" to the Part No.
2) Trough side parts - Also available in stainless steel V4A, material 1.4404 (AISI 316L). Please add index ".E44" to the Part No.
3) Trough side parts - Also available in stainless steel V4A, material 1.4571 (AISI 316Ti). Please add index ".E45" to the Part No.

800

Width index e-chain*	B_{Ri} [mm]	Part No. Installation set
.20	265	90.50.450
.25	315	90.50.500
.30	365	90.50.550
.32	390	90.50.575
.35	415	90.50.600
.40	465	90.50.650
.45	515	90.50.700
.50	565	90.50.750
.55	615	90.50.800
.60	665	90.50.850

840

Width index e-chain*	B_{Ri} [mm]	Part No. Installation set
.13	165	90.50.350
.15	178	90.50.350
.16	190	90.50.375
.17	203	90.50.375
.18	215	90.50.400
.20	228	90.50.400
.21	240	90.50.425
.22	253	90.50.425
.23	265	90.50.450
.25	278	90.50.450
.26	290	90.50.475
.27	303	90.50.475
.28	315	90.50.500
.30	328	90.50.500
.31	340	90.50.525
.32	353	90.50.525
.33	365	90.50.550
.35	378	90.50.550
.36	390	90.50.575
.37	403	90.50.575
.38	415	90.50.600
.40	428	90.50.600
.41	440	90.50.625
.42	453	90.50.625
.43	465	90.50.650
.45	478	90.50.650
.46	490	90.50.675
.47	503	90.50.675
.48	515	90.50.700
.50	528	90.50.700
.51	540	90.50.725
.52	553	90.50.725
.53	565	90.50.750
.55	578	90.50.750
.60	628	90.50.800



Assembling of an E4 e-chain® Series 800 in an igus® steel guide trough