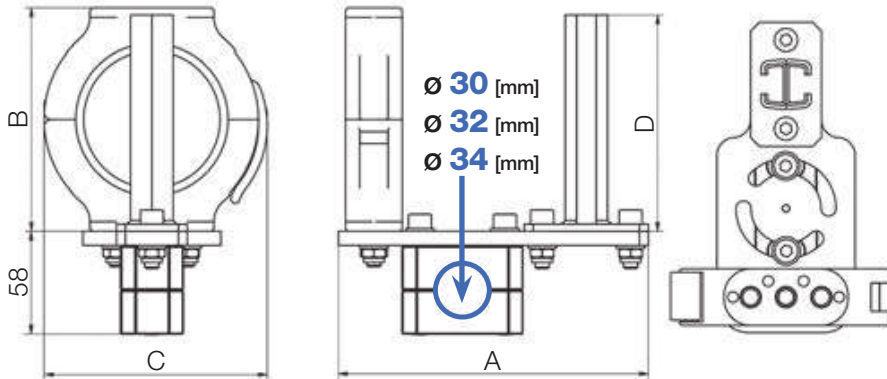


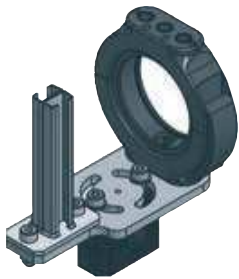
## Heavy duty connections, for axis 6

Heavy duty connection Standard  
TR.60.20.XX - TR.125.20.XX



- Heavy duty connection - standard
- For cables with large cross section
- For heavy hydraulic hoses
- Double C-profile for CFX clamps
- igus® chainfix clamps must be ordered separately

 Heavy duty connections | For TRC·TRE·TRCF



TR.60.20.XX -  
TR.125.20.XX

Ø	Part No.	Clamp	A	B	C	D	E
Index	Standard	Ø [mm]	[mm]	[mm]	[mm]	[mm]	[mm]
30.	▶ -	-	-	-	-	-	-
40.	▶ -	-	-	-	-	-	-
50.	▶ -	-	-	-	-	-	-
60.	▶ TR.60.20.	30   32   34	175	126	126	122	-
65.	▶ TR.65.20.	30   32   34	175	126	126	122	-
70.	▶ TR.70.20.	30   32   34	175	126	126	122	-
85.	▶ TR.85.20.	30   32   34	175	153	155	149	-
85. (R 240)	▶ TR.85.240.20. 4)	30   32   34	175	153	155	149	-
100.	▶ TR.100.20.	30   32   34	175	153	155	149	-
125.	▶ TR.125.20.	30   32   34	180	190	190	175	-

Standard clamp for axis 6: ø 30 mm

4) Only for special size TRCF.85.240.0 with 240 degree bend radius

Part No. with desired diameter for the axis 6 clamp | 30 | 32 | 34 | e.g. TR.100.20.30