



GERM/GELM

mm

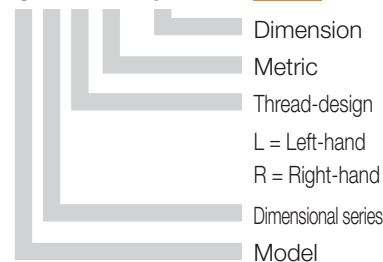
igubal® Clevis Joints



Data in mm

Structure – part no.

G E ... M - 04



Phone +49 - 22 03 - 96 49-145
Fax +49 - 22 03 - 96 49-334

igus® GmbH
51147 Cologne

Internet www.igus.de
E-mail info@igus.de

Special Properties

- Light weight
- Universal corrosion resistance
- High tensile strength
- Can be used in combination with series E rod ends
- Vibration dampening
- Noise dampening
- Available in left and right hand thread



Material

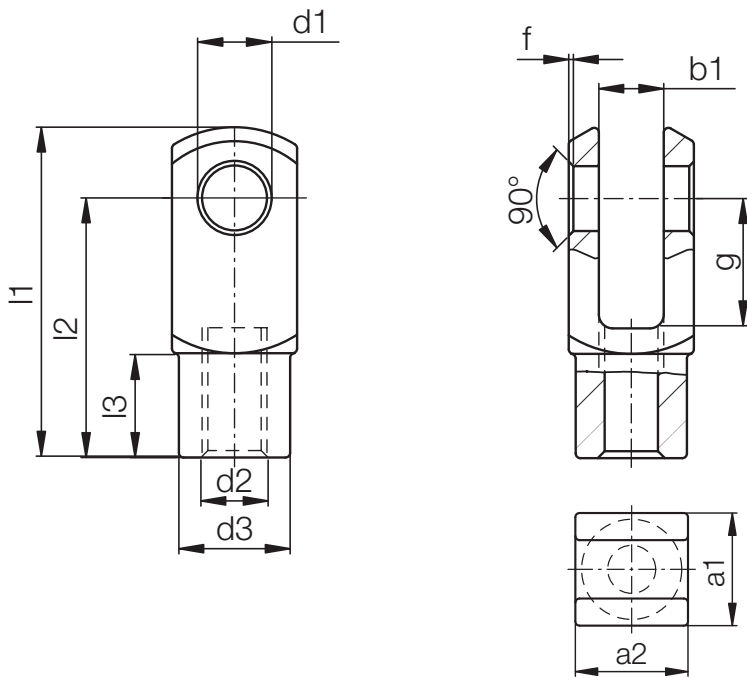
igumid G

▶ Page 70.6

Load Data

igubal® – Clevis Joints

Part Number		Max. Static Axial Tensile Strength GER(L)M		Max. Radial Load		Max. Torque Strength
Right-hand-thread	Left-hand-thread	Short term [N]	Long term [N]	Short term [Nm]	Long term [N]	[N]
GERM-04 M3.5	GELM-04 M3.5	650	325	250	125	0,4
GERM-04	GELM-04	650	325	250	125	0,4
GERM-05 DIN M4	GELM-05 DIN M4	1000	500	250	125	0,4
GERM-05 DIN M5	GELM-05 DIN M5	1000	500	250	125	0,5
GERM-05	GELM-05	1200	600	250	125	0,5
GERM-05 DIN M5 LS	GELM-05 DIN M5 LS	1000	500	130	65	0,5
GERM-06	GELM-06	1400	700	300	150	1,5
GERM-06 LS	GELM-06 LS	1400	700	130	65	1,5
GERM-08	GELM-08	2700	1350	650	325	5
GERM-10	GELM-10	4700	2350	800	400	15
GERM-10 F	GELM-10 F	4700	2350	800	400	6
GERM-12	GELM-12	5700	2850	900	450	20
GERM-12 F	GELM-12 F	5700	2850	900	450	15
GERM-14	GELM-14	6600	3300	1000	500	25
GERM-15	GELM-15	3200	1600	1000	500	25
GERM-16	GELM-16	7500	3750	1200	600	30
GERM-16 F	GELM-16 F	7500	3750	1200	600	27,5
GERM-17	GELM-17	3600	1800	1200	600	30
GERM-17 F	GELM-17 F	3600	1800	1200	600	27,5
GERM-20	GELM-20	9500	4750	3000	1500	60
GERM-20 M20	GELM-20 M20	9500	4750	3000	1500	80



igubal® Clevis Joints

GERM/GELM

mm

Phone +49 - 22 03 - 96 49-145
 Fax +49 - 22 03 - 96 49-334

Dimensions [mm]

igubal® – Clevis Joints Dimensional Series E – Clevis Joints only (GERM / GELM), without clevis pin and circlip

Part Number		d1	g	a1	a2	b1	d2	d3	f	l1	l2	l3
		H9	h11		+0,3 -0,16	B13	Thread- tolerance 6H	+0,3 -0,3	+0,3 -0,3	+0,5 -0,5	+0,3 -0,3	+0,2 -0,2
GERM-04 M3.5	GELM-04 M3.5	4	8	8	8	4	M3.5	8,0	0,5	21,0	16,0	6,0
GERM-04	GELM-04	4	8	8	8	4	M04	8,0	0,5	21,0	16,0	6,0
GERM-05 DIN M4	GELM-05 DIN M4	5	10	10	10	5	M04	9,0	0,5	25,0	20,0	7,5
GERM-05 DIN M5	GELM-05 DIN M5	5	10	10	10	5	M05	9,0	0,5	25,0	20,0	7,5
GERM-05	GELM-05	5	12	12	12	6	M05	10,0	0,5	31,0	24,0	9,0
GERM-05 DIN M5 LS	GELM-05 DIN M5 LS	5	20	10	10	5	M05	9,0	0,5	36,0	30,0	7,5
GERM-06	GELM-06	6	12	12	12	6	M06	10,0	0,5	31,0	24,0	9,0
GERM-06 LS	GELM-06 LS	6	24	12	12	6	M06	10,0	0,5	43,0	36,0	9,0
GERM-08	GELM-08	8	16	16	16	8	M08	14,0	0,5	42,0	32,0	12,0
GERM-10	GELM-10	10	20	20	20	10	M10	18,0	0,5	52,0	40,0	15,0
GERM-10 F	GELM-10 F	10	20	20	20	10	M10x1,25	18,0	0,5	52,0	40,0	15,0
GERM-12	GELM-12	12	24	24	24	12	M12	20,0	0,5	62,0	48,0	18,0
GERM-12 F	GELM-12 F	12	24	24	24	12	M12x1,25	20,0	0,5	62,0	48,0	18,0
GERM-14	GELM-14	14	28	27	27	14	M14	24,0	0,5	72,0	56,0	22,5
GERM-15	GELM-15	15	28	27	27	14	M14	24,0	0,5	72,0	56,0	22,5
GERM-16	GELM-16	16	32	32	32	16	M16	26,0	1,0	83,0	64,0	24,0
GERM-16 F	GELM-16 F	16	32	32	32	16	M16x1,5	26,0	1,0	83,0	64,0	24,0
GERM-17	GELM-17	17	32	32	32	16	M16	26,0	1,0	83,0	64,0	24,0
GERM-17 F	GELM-17 F	17	32	32	32	16	M16x1,5	26,0	1,0	83,0	64,0	24,0
GERM-20	GELM-20	20	40	40	40	20	M20x1,5	34,0	1,0	105,0	80,0	30,0
GERM-20 M20	GELM-20 M20	20	40	40	40	20	M20x2,5	34,0	1,0	105,0	80,0	30,0

